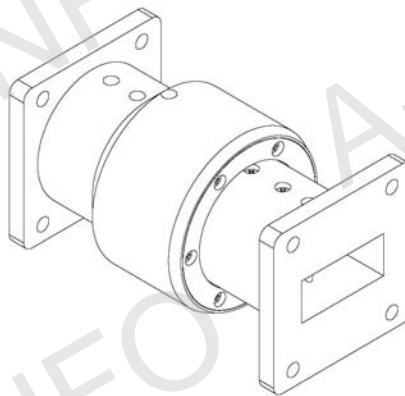
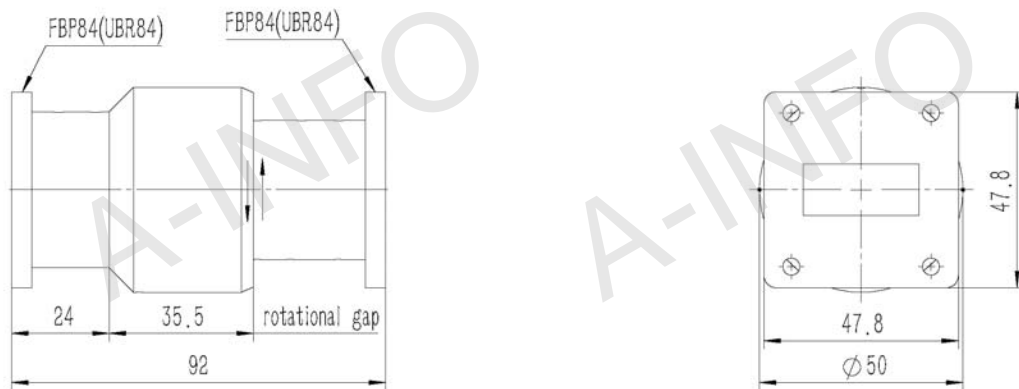


## Technical Specification

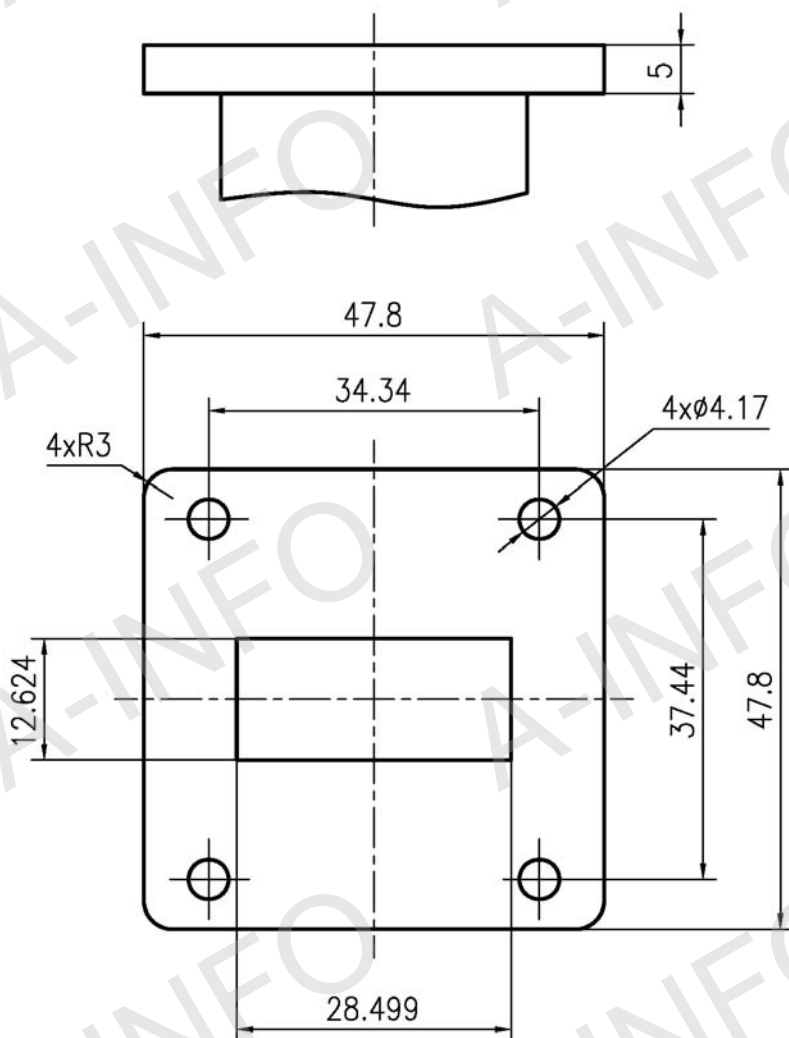


EIA WR	WR112
Frequency Range(GHz)	7.05 – 10.0
Insertion Loss(dB)	0.3 Max.
VSWR	1.25:1 Max.
Average Power(W CW)	400
Peak Power(KW)	150
Flange	FBP84(UBR84)
Material	Al
Size(mm)	92 x 50 x 50
Net Weight(Kg)	0.30 Around

## Outline Drawing (Size: mm)



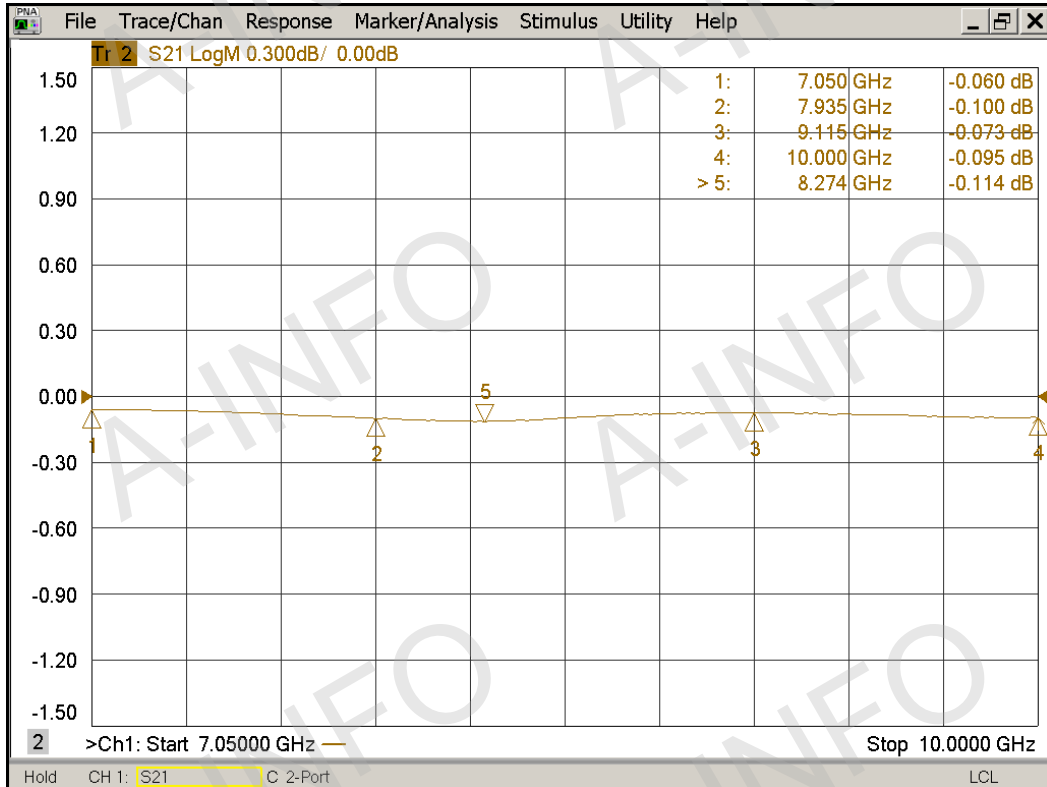
## Flange Drawing (Size: mm)



### FBP84

## Test Results

I.L.



VSWR

